

Fail Safe Electric Bolt for Fully Frameless Glass Door

1.Functional Specification

The operating voltage of this lock is DV12V, lock's bolt with self-locking function, also designed door sensor output and lock sensor output for ser to detect the door and lock working status . time delay available adjust 0/3/6 sec(Figure 2).

2.Installation and instructions

- 2.1. Please read the instructions before installation,and check if main accessories are complete or not.
- 2.2. The lock is mainly composed of two parts : (1)Aluminum alloy magnet seat ,(2) lock. the gap bewteen the aluminum alloy magnet seat and electric bolt is $\leq 3\text{MM}$ (Figure 5).
- 2.3. There are red,black,blue,white,yellow,gray,orange,green 8 wires (Figure 1). red connect to power positive,black conect to power negative. Blue,white,yellow are lock sensor output wires blue (NO),white(NOM),yellow(NC) (Figure 3). Gray,orange,green are door sensor output wires green(NO),gray(COM),orange(NC) (Figure 4).
- 2.4. Time delay adjustment. it is located in the middle of the lock (Figure 2), it is 0S, 3S,6S.
- 2.5. The thickness of glass door is 10-12mm

3.Parameters

- Lock size: 148L*43W*39H mm
- Aluminum alloy magnet seat: 148L*43W*25mm
- Bolt: 12.5mm DIA, stainless steel 14mm thro
- Voltage: DC12V $\pm 10\%$
- Start current:900mA, Standby current: 150mA
- 5 lines time delay: 0,3,6 sec
- Door status Output
- Fail safe: locked when energized

4.Accessories

- Rubber gaskets: 148L*35W*1.5mm (2 pcs)
- Iron plate: 148L*35W*1mm (1 pcs)
- Scew: M6*12mm
- Hexagonal wrench: 3mm (1 pcs)

5.Reference figures

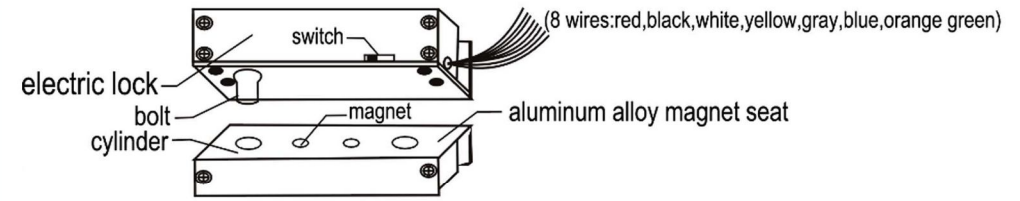


Figure 1

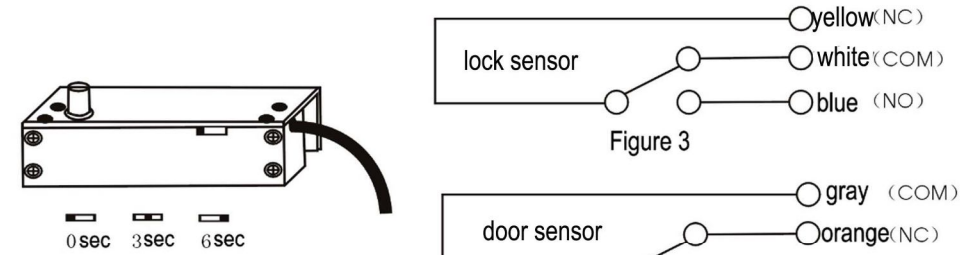


Figure 2

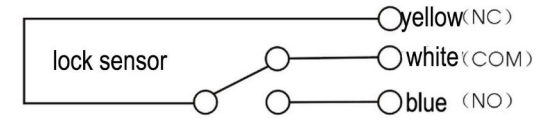


Figure 3

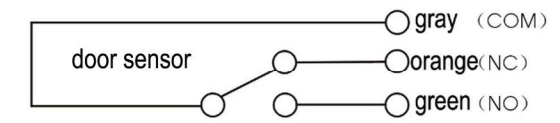


Figure 4

Steps:

1. Ensure the installation position, clean the glass surface.
2. Fix the spacer inside the U bracket, quantity of spacer can be increased according to the thickness of glass.
3. Paint the glass cement on the internal side-way of the under-part bracket.
4. Sew the bracket by the hexagonal wrench

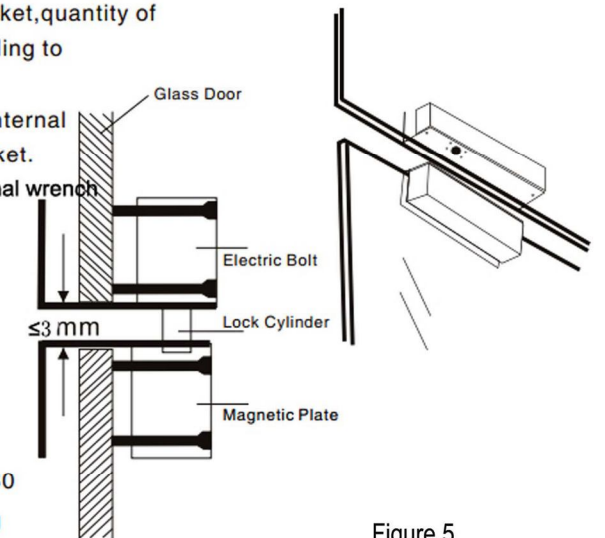


Figure 5

Attentions:

1. U bracket is specially for the 180 degree in-swing and out-swing frameless glass door.
2. The thickness of glass door is 10-12mm
3. The gap bewteen the down-bracket and electric bolt is : 3 mm.