

Access Control Keypad Manual (Read the manual carefully please before use)

1.Products Specifications

- @Operating Temp.: -10C---60C
- @Power Supply: DC9V-DC24V
- @User Capacity: 500 pcs user card, 500 pcs user password
- @Independent Open Door Password: 100 group
- @Access Modes: card, password, card+ password
- @With open overtime alarm function. and wiegand 26 interface
- @Relay output: 3A@30VDC

4.Line Default

6 lines default

Mark	Color	Default
VCC	Red	Power positive
GND	Black	Power negative
NO.	Yellow	Normally Opened terminal
COM.	Green	Common terminal
NC.	White	Normally closed terminal
SWITCH	Orange	Door Release

4 lines weigand26 default

Mark	Color	Default
VCC	Red	Power positive
GND	Black	Power negative
DATA0	Yellow	wiegand26---DATA0
DATA1	Green	wiegand26---DATA1

Other 4 lines default

Mark	Default
BELL	BELL
BELL	BELL
DOOR_IN.	Door Magnet
ALARM+.	ALARM Output

The products factory default parameters

Item	Default
Programming Password	123456
1Group Independent Password	111111
Access Modes	Card or password
Open Door Time	3sec
Close Delay Remind Time	1min
Alarm Time	9sec
Door (Close) Relay time	Close
Modify Personal Password Function	Close
Alarm Output Drive Capability	200mA

2.Function Set

Administrator programmed operating

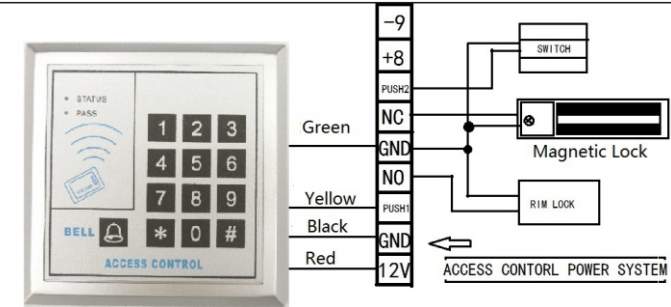
Enter programming state(Default password:123456)

Press key * program password # enter programming state. Blue and red light flash together.

Eg: Press key * 123456 # enter programming state; Exit programming state press key *, exit with blew.

(After successfully function set, automatically exit programming state and red green light close flash)

5.Typical Wiring diagram



Purpose	Operation	Remark	
Basic function	Change the programming password:	* Programming Password#00# new Programming password# new Programming password#	If Programming Password lost, perform "3" to reset to Factory Default(123456)
	Add card quickly	* Programming Password#51# continually read card*exit	read-in inner card number, card password automatically default setting is 000000
	Delete card	* Programming Password#71# continually read card which need to delete*exit	
	Delete all user card	* Programming Password# 4 0 # 9 0 #	automatically exit programming state and red green light stop flash
	Add independent open door password	* Programming Password#1 3 # input 6 code self password #	don't set 000000 as open door password
Expand Function	Input inner card number to add card	* Programming Password# 5 2 # input 1 0 code inner card number #	card password automatically default setting is 000000
	Input inner card number to delete card	* Programming Password#7 2 # input 1 0 code inner card number #	if continually delete card, input another 6 code independent again #
	Delete independent password	* Programming Password#2 3 # input 6 code independent password #	if continually delete card, input another 6 code independent again #
	Delete all independent password	* Programming Password#4 0 # input 9 1 #	automatically exit programming state and red green light stop flash
	Master Card setting	* Programming Password#8 0 # swiping card	automatically exit programming state and red green light stop flash
	Modify open door time	* Programming Password#6 2 # input 2 code open time (01---99sec) #	automatically exit programming state and red green light stop flash
	Modify the alarm duration	* Programming Password#6 1 # input 2 code open time (01---99sec) #	automatically exit programming state and red green light stop flash
	Modify Out door alarm time	* Programming Password#6 0 # input 2 code timeout (01---99sec) #	automatically exit programming state and red green light stop flash.
	Open/Close the door overtime alarm function	① Close : * Programming Password# 9 0 # input 1 0 # ② Open: * Programming Password# 9 0 # input 1 1 #	
	Open, close to modify personal code function	① Close : * Programming Password# 9 0 # input 3 0 # ② Open: * Programming Password# 9 0 # input 3 1 #	
	User to modify personal password	Press key #, swipe user card and input 6 code password, #(default 000000) input new 6 code password # repeat 6 code password #	exit programming state with blew automatically
	Modify open door modes function :	①. Card, personal password and independent password can open the door: * Programming Password# 9 0 # input 4 0 # ②. Card+ personal password: * Programming Password# 9 0 # input 4 1 #	
	Restore the factory default parameters	* Programming Password#9 0 # input 9 0 #	

3.Operation of programming password lost (this action do not make user card data lost)

Cut off, press key * and # at same time, power on, Keep press two keys time staying in more than 5 seconds, buzzer long ring tip, release hand. (after reset, programming password: 123456. Card data is not lost.)